



SEPARATOR

SPARES & EQUIPMENT^{LLC}

MAB 104

High Speed Disc Stack Centrifuge

Machine Application

The MAB 104 high speed disc stack centrifuge is designed for purification or clarification of fuel oils, engine oils, lubricating oils, and various mineral oils used on board marine installations and in industrial applications.

Separator Design

The MAB 104 is driven by a horizontal driveshaft, friction clutch, worm wheel gear and vertical drive shaft. This is all housed within the separator frame, the worm wheel gear is situated in an oil bath to ensure smooth running. The brake is situated on the top part of the frame; braking directly onto the bowl.

The bowl is fixed onto the vertical drive shaft situated in the top part of the frame. The frame hood is hinged to enable easy access when cleaning or carrying out maintenance.

Standard Equipment

- MAB 104 centrifugal separator
- Double pump with fittings
- Motor - 440 volt, 60Hz, 3-phase
- Complete set of gravity disks
- Water supply device
- Complete set of tools
- Set of spare parts for extended use
- Set of instruction manuals

Optional Equipment

- Motor - 380 volt, 50 Hz, 3-phase
- Motor - Dual 208-230/440 volt, 60Hz, 3-phase
- MAWA Water seal alarm
- Electric pre-heater
- Motor starter
- Skid with controls



MAB 104 with motor and pump

Separator Throughputs and Capacities

The MAB 104 is suitable for the separation of marine diesel, biodiesel, distillate, lubricating and hydraulic oils. (Throughputs may vary depending on temperature and viscosity of liquids)

Expected Throughput:

- Marine diesel oil: 396 g/h
- Biodiesel: 396 g/h
- Lubricating oil: 251 g/h
- Distillate: 515 g/h
- Hydraulic oil: 423 g/h

SEPARATOR SPARES & EQUIPMENT, LLC.

TECHNICAL DATA SHEET MODEL MAB-104

Weight:

(According to Standard Equipment w/ motor and Complete Bowl)

Approx. 421 lbs

Electric Power Consumption:

Idling: 0.50 kW

Running @ Max Capacity: 1.8 kW

Built-On Inlet Pump:

Suction Lift: 13 feet
(depending on flow and viscosity)

Built-On Outlet Pump:

Delivery Head: 49 - 82 feet
(depending on flow and viscosity)

Dimensions:

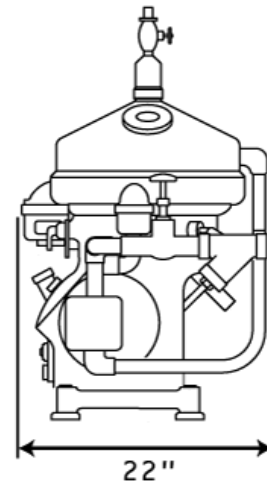
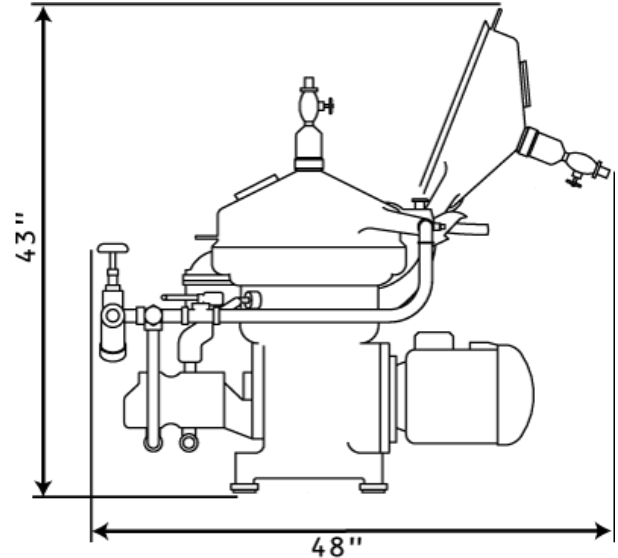
* See Dimensional Drawing for approximate measurements

* Allow additional room for hose connections and machine maintenance

Notes:

* Complete instruction manual and documentation ships with each separator

* Manufacturer can change specifications without notice



Separator Spares & Equipment, LLC.
144 Intracoastal Drive
Houma, LA 70363

Toll Free (866) 218-0013

Phone (985) 346-0122

Fax (985) 346-0244

www.separatorequipment.com

info@separatorequipment.com