

GEA Westfalia Separator OTC 2-02-137 / OTC 3-02-137

Technical Data | Continuous treatment of fuel and lube oils, hydraulic, diesel, turbine and waste oils



This separator is equipped with a solid-wall bowl. It can be equipped for either clarification of liquids or separation of liquid mixtures, with simultaneous solids removal. The dirty liquid enters the rotating bowl through the product feed and is clarified or separated in the disk stack. The separated heavy phase is diverted over the separating disk and discharges from the bowl by gravity. The purified light liquid phase is pressure-discharged by the centripetal pump. The separated solids accumulate in the solids holding space and must be removed by hand.

Frame, hood and drive

The separator is equipped with an oil level sight glass. The hood is removable. The machine is driven by a 3-phase AC motor. Power is transferred to the bowl spindle via a flat belt. All bearings are splash-lubricated from a central oil bath.

Materials of construction

Frame:	Grey cast-iron GG-25 Aluminium*
Hood:	Silumin
Main bowl parts:	Stainless steel
Gaskets:	NBR

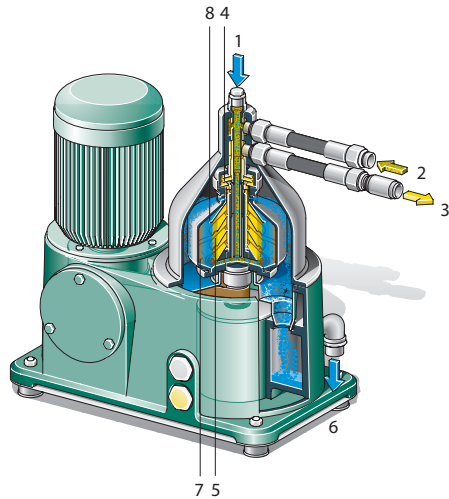
Features

- Standard motor
- Low-noise
- Light weight
- Bowl of stainless steel
- Light phase discharged under pressure
- Gravity discharge of heavy phase
- Easy conversion into clarifier

* Low-weight version

Technical Data OTC 2-02-137 / OTC 3-02-137

Operating principles and constructional features



- 1 Filling water
- 2 Product feed
- 3 Discharge light liquid phase
- 4 Centripetal pump
- 5 Disk stack
- 6 Discharge heavy liquid phase
- 7 Solids holding space
- 8 Separating disk

Standard equipment

- 3-phase AC motor
- Rubber cushions
- Motor protection switch
- Set of tools
- Set of commissioning parts
- Set of regulating rings
- Hood limit switch
- Set of hoses (for feed and discharge)
- Filling water hopper
- Flow detector / Flow indicator
- Technical documentation

Additional equipment (available at extra cost)

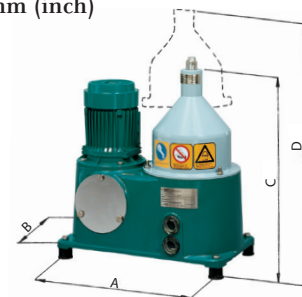
- Set of spare parts for 8,000/16,000 operating hours
- Set of bowl inlays (sludge liners)
- For operating voltage 230 V AC, 1 phase
- For operating voltage 110 V AC, 1 phase
- For operating voltage 24 V DC
- Each separator is also available as a ready-to-connect compact unit, including accessories

Applications

- Shipping and power plants
- Metal working industry
- Automotive industry
- Steel and paper industry, etc.

Technical data	OTC 2-02-137	OTC 3-02-137
Bowl		
Speed	10,000 rpm	10,000 rpm
Total volume	1.2 l	2.2 l
Solids holding space	0.75 l	1.2 l
3-phase AC motor		
Power consumption	0.6 kW	0.8 kW
Rating at 50 Hz / 60 Hz	1.1 kW / 1.3 kW	1.1 kW / 1.3 kW
Speed at 50 Hz / 60 Hz	3000 rpm / 3600 rpm	3000 rpm / 3600 rpm
Enclosure	IP 55	IP 55
Centripetal pump		
Discharge pressure, light liquid phase	0.5 bar	0.5 bar
Connections		
Product feed	R ½ in	R ½ in
Discharge heavy phase	R ¾ in	R ¾ in
Discharge light phase	R ½ in	R ½ in
Max. separating temperature	100 °C / 212 °F	100 °C / 212 °F
Weights and shipping data (Separator, complete)		
Standard design	60 kg (132 lb)	65 kg (143 lb)
Low-weight version	40 kg (88 lb)	45 kg (99 lb)
Case dimensions (L x B x H)	640 x 640 x 710 mm (25 x 25 x 28 in)	640 x 640 x 710 mm (25 x 25 x 28 in)
Shipping volume	0.3 m ³	0.3 m ³

Dimensions in mm (inch)



A	B	C	D
500 (20)	281 (11)	564 (22)	750 (30)